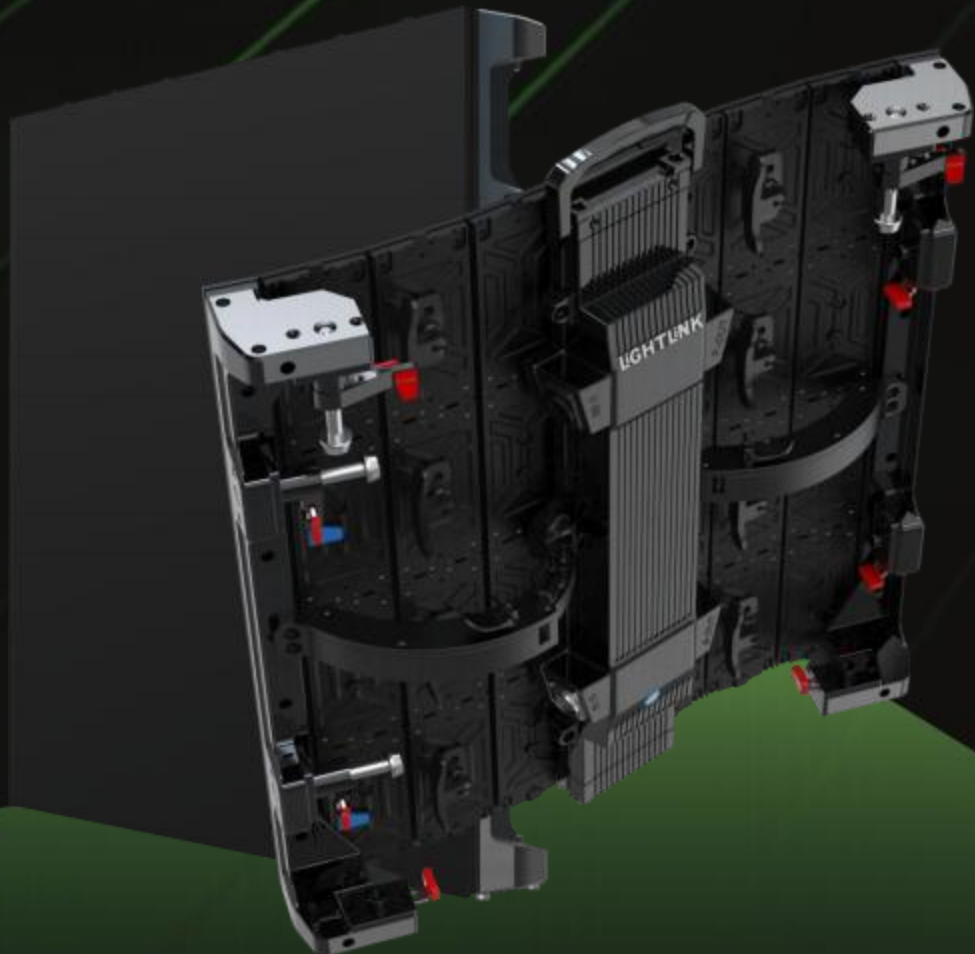


Flexible Screen

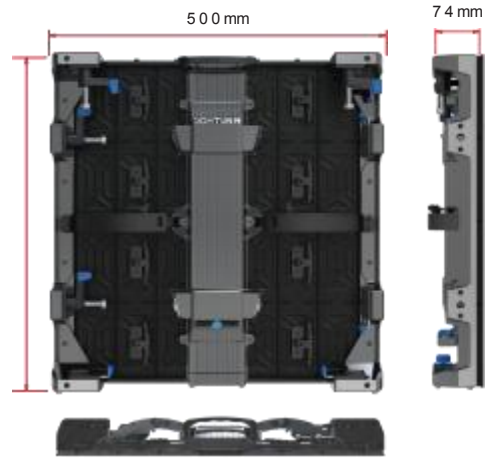
Creative, high cost-effectiveness & specialized for curved screens

Indoor: 2.6 mm 3.9 mm



Features

Module ultra-flexible design	With a smoother and more natural curve than conventional beveled boxes
Large radius lock design	0°, ±2.5°, ±5°, ±7.5°, ±10°, ±12.5°, ±15°, ±17.5°, ±20°, ±22.5°
PWM	Effectively improve the refresh rate and grayscale levels of the display
Cylinder shaped assembly	With only 8 boxes, with a diameter of 1.27 meters
Modular design	With support for full-front and full-back maintenance and independent removal of the control box
Ultra-light and ultra-thin	With a thickness of 74mm and a weight of only 6kg per box



Modular design

Detachable control box+frame+magnetic suction wireless module



Supports cylindrical splicing

With only 8 boxes, with a diameter of 1.27 meters



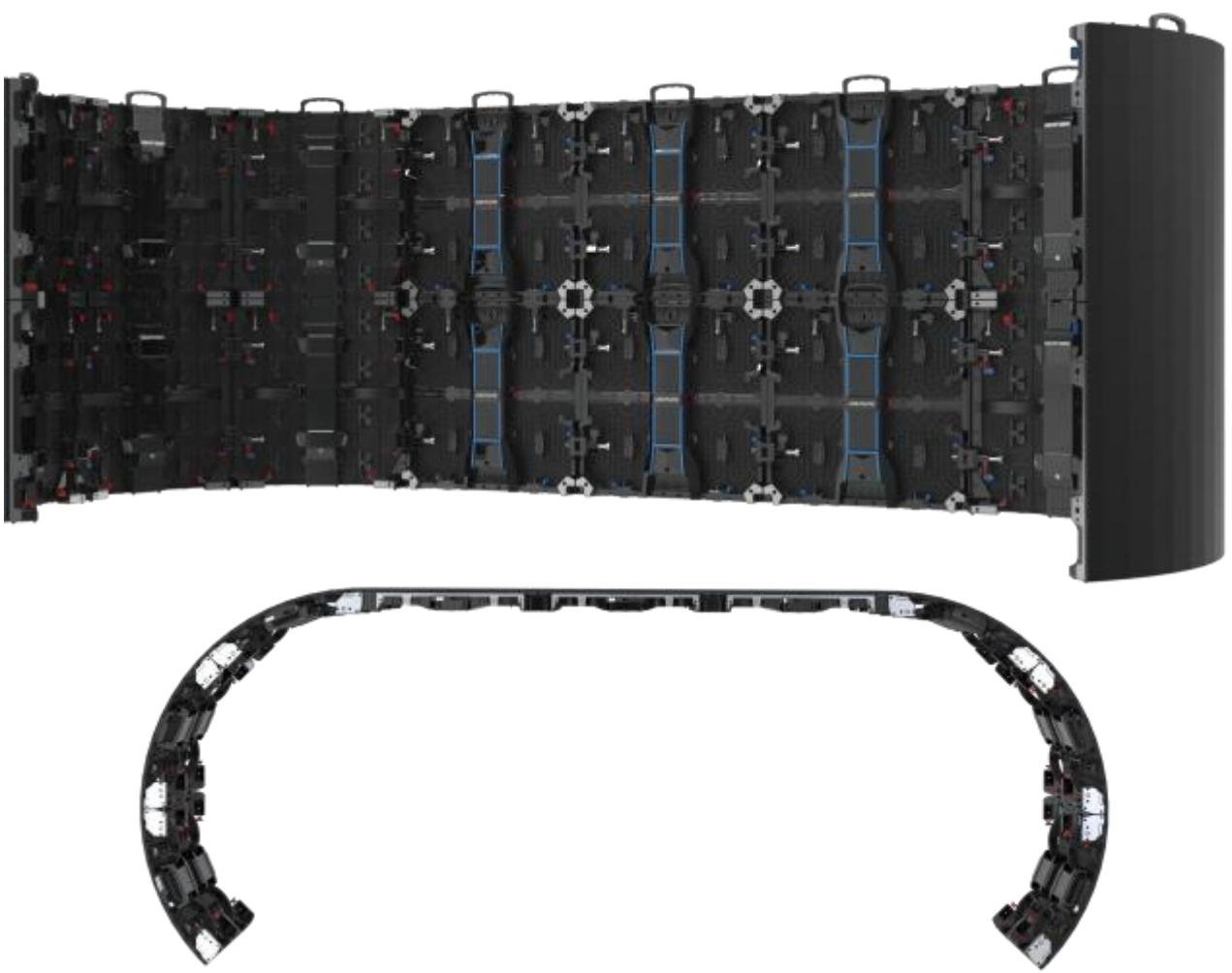
Creative display solution

Creative assembly of internal and external curved surfaces, without boundaries to creativity



Internal and external curved angles

0°, ±2.5°, ±5°, ±7.5°, ±10°, ±12.5°, ±15°, ±17.5°, ±20°, ±22.5°



Compatible with the Oak series



Cylindrical assembly only requires 8 boxes, with a diameter of 1.27 meters

Installation Methods:



Installation on internal and external curves



Cylindrical installation
only requires 8 boxes,
with a diameter of 1.27
meters



Compatible with Oak series products

oak-Flexible Screen specifications

Specifications	Indoor	
Pixel pitch(mm)	2.6	3.9
LED type	SMD1515	SMD2121
Scan method	1/24s	1/16s
Module resolution(Pixels)	192*48	128*32
Module size(mm)	500*125	500*125
Pixel Density(Pixels/m ²)	147,456	65,536
Brightness (cd/m ²)	800	1000
Viewing Angle(H/V)	H:140 V:140	H:140 V:140
Cabinet Size(mm)	500*500*74	500*500*74
Cabinet Material	Aluminum die-casting	Aluminum die-casting
Cabinet weight(kg)	≈ 6	≈ 6
Refresh rate(Hz)	≥ 3840	≥ 3840
Input voltage(V)	AC110,220, 110-240	AC110,220, 110-240
Input power frequency(Hz)	50/60	50/60
Max Input Power(W/m ²)	≈ 600	≈ 600
Average Input Power(W/m ²)	≈ 300	≈ 300
Lifespan(H)	≥ 50,000	≥ 50,000
IP Rate	IP20	IP20



Name : Power supply
 Code : 103010373/103010375
 Notes : Output 4.5V/40A
 Input 100-240VAC



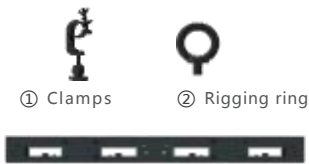
Name: System
 Brand: Nova/Colorlight



Name : Cabinet plug
 Brand : Neutrick/Seetronic

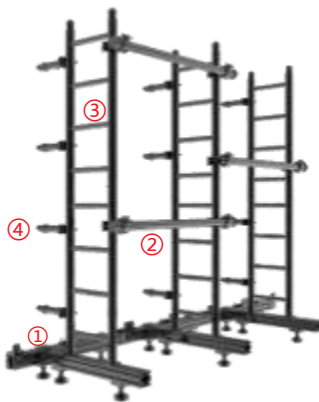


Name : Connecting plate
 Code : 112010562
 Dimension : 91.2*91.2* 15mm



Name : Hanging beam
 Code : 112120201
 Dimension : 1000*65*82mm
 Notes : 2 cabinets/beam
 Universal for ground
 beam and hanging beam

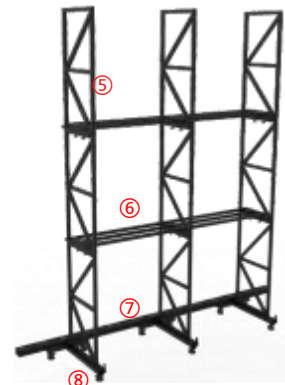
Name : Flight case
 Code : 113011727
 Notes : 8pcs cabinets/box



Structure 1

No.	Name	Code	Dimension/mm
①	Ground beam 1	112180099	884 * 350 * 250
②	Scalable pole	112330146	φ50*960
③	Grille bracket	112180100	φ50*400* 1000
④	Connecting arms	112090390	133 .5*347 .7*50

No.	Name	Code	Dimension/mm
⑤	Grille bracket	107270068	1040 * 500 * 30
⑥	Maintenance access	112250093	1100 * 300 * 60
⑦	Ground beam2	112120201	1000*65*82
⑧	Ground beam 3	112180099	884 * 350 * 250



Structure 2